

**APPENDIX A:**

**NPDES PERMIT**



# Minnesota Pollution Control Agency

520 Lafayette Road North | St. Paul, MN 55155-4194 | 651-296-6300 | 800-675-3843 | 651-282-5332 TTY | www.pca.state.mn.us

March 19, 2010

The Honorable Pete Ewals  
Mayor, City of Jordan  
210 East 1<sup>st</sup> Street  
Jordan, MN 55352

RECEIVED

MAR 22 2010

BOLTON & MENK, INC  
BURNSVILLE, MN

RE: Final Reissued NPDES/SDS Permit No. **MN0020869**  
**Jordan** Wastewater Treatment Facility  
T114N, R23W, Section 18, Jordan, Scott County, Minnesota

Dear Mayor Ewals:

Enclosed is the final National Pollutant Discharge Elimination System (NPDES)/State Disposal System (SDS) permit for your facility. This permit supersedes an earlier NPDES/SDS permit that was issued on March 25, 2005. No written comments were received during the public notice comment period for the draft permit.

It is the responsibility of the Permittee to maintain compliance with all of the terms and conditions of this permit. Please carefully review the entire permit. A "Submittals Checklist" that is specific for your facility is also enclosed for your use. You may find this checklist to be a convenient tool in tracking the due dates and status of submittals required by the final issued permit. Please be sure to review your permit for all required submittals as not all are captured on the "Submittals Checklist".

As noted in the draft cover letter, the Jordan Wastewater Treatment Facility has an average wet weather (AWW) design flow of 1.289 million gallons per day (mgd). Code of Federal Regulation, 40 CRF pt. 122.21 (j) mandates municipal facilities that discharge 1.0 million gallons per day (mgd) or greater and place surface waters at higher risk of toxicity to be designated as a major NPDES facility. The MPCA will be making these required changes in the next permit cycle.

Special attention should be directed to the following:

## Limits and Monitoring

### Salty Discharges

Based on the receiving water conditions, this permit contains monitoring for a class of analytes associated with salty discharges. If the facility discharge has high concentrations of these analytes, there may be adverse impacts to downstream water resources. Monitoring shall occur once per month for two years, or ten samples, at which time you can request a reduction in monitoring and MPCA will review the data submitted and determine if a reduction in monitoring is warranted. The data will be recorded on a custom supplemental form provided by the MPCA and must be submitted with the DMR for the month when sample is collected.

### Ammonia

You were recently notified that the MPCA recently discovered additional effluent monitoring is required from your community's wastewater treatment facility (WWTF). This monitoring is required by 40 Code of Federal Regulations 122.21j and has been added to the limits and monitoring section of your permit. The permit reissuance will require effluent monitoring two times per year, in April and September, for

The Honorable Pete Ewals  
Page Two  
March 19, 2010

Total Nitrite + Nitrate as (N), Total Nitrogen Kjeldahl and Total Dissolved Solids. The data will be recorded on a custom supplemental form provided by the MPCA and must be submitted with the DMR for the month when sample is collected.

### Phosphorus

Phosphorus is a common constituent in many wastewater discharges and a pollutant that has the potential to negatively impact the quality of Minnesota's lakes, wetlands, rivers, and streams. Phosphorus promotes algae and aquatic plant growth often resulting in decreased water clarity and oxygen levels. In addition to creating general aesthetic problems, these conditions can also impact a water body's ability to support healthy fish and other aquatic species. Therefore, phosphorus discharges are being carefully evaluated throughout the state.

You are required to meet a phosphorus limit as specified in the limits and monitoring section of this permit. Although you are not required to prepare a Phosphorus Management Plan (PMP), elimination or reduction of phosphorus at the source will decrease the influent load to the wastewater treatment facility and has the potential to improve treatment efficiency and reduce treatment costs. The MPCA strongly encourages you to identify and eliminate/reduce sources of phosphorus to, and optimize phosphorus management within, your wastewater treatment facility.

### Mercury

The permit contains requirements for influent and effluent mercury monitoring and for submittal of a Mercury Pollutant Minimization Plan (MMP). These requirements were added in response to the U.S. Environmental Protection Agency's approval of the Minnesota state-wide Mercury Total Maximum Daily Load (TMDL) Plan. Guidance for completing the MMP is available on the MPCA internet site at <http://www.pca.state.mn.us/water/wastewater.html#permits>. More information on the TMDL can be found on the MPCA internet site at <http://www.pca.state.mn.us/water/tmdl/tmdlmercuryplan.html>.

In addition to the sampling in the Limits and Monitoring section of the permit, you are required to sample effluent twice per year for dissolved mercury with a concurrent TSS grab sample. The data will be recorded on a custom supplemental form provided by the MPCA and must be submitted with the DMR for the month when sample is collected. The specific language regarding this additional sampling is located in Chapter 7. Mercury Pollutant Minimization Plan (MMP). Only certain laboratories are certified for low level mercury sample analysis. A list of certified labs and their certifications can be found on the Minnesota Department of Health Website at <http://www.health.state.mn.us/divs/phl/cert/allcertlabs.html>.

### Chapter 1: Surface Discharge Stations

The MPCA is no longer permitting bypass stations so the SD002 emergency bypass station was removed as a surface discharge station. This bypass station is to remain locked at all times and if at any point a bypass is necessary it must be called into the Duty Officer as a wastewater release and sampled for wastewater parameters.

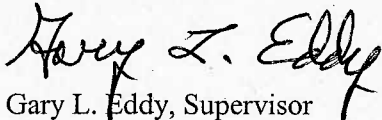
The flow monitoring requirements have been moved from the WS station to the SD station in the draft permit. Please continue to monitor your influent flow at the current station, but report the flow

The Honorable Pete Ewals  
Page Three  
March 19, 2010

parameters on your monthly discharge monitoring report for your SD station. Additional flow measurement devices do not need to be installed at the discharge location.

If you have any questions regarding any of the terms and conditions of the draft permit, please contact Charly Wojtysiak, of my staff, at 651-757-2831.

Sincerely,



Gary L. Eddy, Supervisor  
Municipal Wastewater Section  
Municipal Division

GLE/CW:jeh


Enclosure: Final Permit, Submittals and Actions Checklist, Additional Sampling Supplemental Forms, Permit Users Manual

cc: David H. Bendzick, City of Jordan (w/enclosure)  
Seth A Peterson, Bolton & Menk, Inc.

The Honorable  
John  
March 19, 1911

Enclosed for you are three checks for your 1911 tax. The amount of the checks is \$100.00. The amount of the tax is \$100.00. The amount of the interest is \$10.00. The amount of the penalty is \$10.00. The amount of the total is \$130.00.

If you have any questions regarding the tax, please contact the Internal Revenue Service. The Internal Revenue Service is the department of the Treasury that is responsible for the collection of taxes.

  
John  
Internal Revenue Service  
Washington, D.C.

John

Enclosed for you are three checks for your 1911 tax. The amount of the checks is \$100.00. The amount of the tax is \$100.00. The amount of the interest is \$10.00. The amount of the penalty is \$10.00. The amount of the total is \$130.00.

John  
Internal Revenue Service  
Washington, D.C.



STATE OF MINNESOTA

**Minnesota Pollution Control Agency**

**Municipal Division**

**National Pollutant Discharge Elimination System (NPDES)/  
State Disposal System (SDS) Permit MN0020869**

**PERMITTEE:** City of Jordan  
**FACILITY NAME:** Jordan Wastewater Treatment Facility  
**RECEIVING WATER:** Sand Creek (Class 2B, 3C, 4A, 4B, 5, 6 water)  
**CITY OR TOWNSHIP:** City of Jordan  
**ISSUANCE DATE:** March 19, 2010  
**COUNTY:** Scott  
**EXPIRATION DATE:** February 28, 2015

The state of Minnesota, on behalf of its citizens through the Minnesota Pollution Control Agency (MPCA), authorizes the Permittee to operate a disposal system at the facility named above and to discharge from this facility to the receiving water named above, in accordance with the requirements of this permit.

The goal of this permit is to protect water quality in accordance with Minnesota and US statutes and rules, including Minn. Stat. chs. 115 and 116, Minn. R. chs. 7001, 7041, 7049, 7050, 7053, 7060 and the US Clean Water Act.

This permit is effective on the issuance date identified above, and supersedes the previous permit that was issued for this facility on March 25, 2005. This permit expires at midnight on the expiration date identified above.

Signature: Gary L. Eddy  
Gary L. Eddy, Supervisor  
Municipal Wastewater Section  
Municipal Division  
for The Minnesota Pollution Control Agency

**Submit DMRs to:**

Attention: Discharge Monitoring Reports  
Minnesota Pollution Control Agency  
520 Lafayette Rd N  
St Paul, MN 55155-4194

**Submit Other WQ Reports to:**

Attention: WQ Submittals Center  
Minnesota Pollution Control Agency  
520 Lafayette Rd N  
St Paul, MN 55155-4194

**Questions on this permit?**

- For DMR and other permit reporting issues, contact:  
Linda Brooks, 651-757-2246.
- For specific permit requirements or permit compliance status, contact:  
Charly Wojtysiak, 651-757-2831.
- General permit or NPDES program questions, contact:  
MPCA, 651-282-6143 or 1-800-657-3938.

## Table of Contents

Permitted Facility Description	3
Topographic Map of Permitted Facility	4
Facility Flow Diagram	5
Summary of Stations and Station Locations	6
Limits and Monitoring Requirements	7-8
<b>Chapter 1. Surface Discharge Stations</b>	<b>9</b>
1. Special Requirements	
2. Requirements for Specific Stations	
3. Sampling Location	
4. Surface Discharges	
5. Winter Sampling Conditions	
6. Discharge Monitoring Reports	
<b>Chapter 2. Waste Stream Stations</b>	<b>9</b>
1. Requirements for Specific Stations	
2. Sampling Location	
<b>Chapter 3. Domestic Wastewater -- Mechanical System</b>	<b>10</b>
1. Bypass Structures	
2. Sanitary Sewer Extension Permit	
3. Operator Certification	
<b>Chapter 4. Domestic Wastewater -- Pond System</b>	<b>10</b>
1. Ponds - Observations	
<b>Chapter 5: Biosolids Land Application</b>	<b>10-14</b>
1. Authorization	
2. Compliance Responsibility	
3. Notification Requirements	
4. Pollutant Limits	
5. Pathogen and Vector Attraction Reduction	
6. Management Practices	
7. Monitoring Requirements	
8. Records	
9. Reporting Requirements	
<b>Chapter 6. Pretreatment</b>	<b>14-17</b>
1. Pretreatment - Definitions	
2. Pretreatment - Permittee Responsibility to Control Users	
3. Control of Significant Industrial Users	
4. Monitoring of Significant Industrial Users	
5. Reporting and Notification	
<b>Chapter 7. Non-waste Streams -- Mercury Minimization Plan</b>	<b>17</b>
1. Mercury Pollutant Minimization Plan	
<b>Chapter 8. Total Residual Oxidants -- Domestic</b>	<b>18</b>
1. General Requirements	
<b>Chapter 9. Facility Specific Definitions</b>	<b>18</b>
1. Definitions	
<b>Chapter 10. Total Facility Requirements</b>	<b>18-26</b>
1. General Requirements	

## Facility Description

---

The Jordan WWTP facility (Facility) is located at NE 1/4 of SE 1/4 of Section 18, Township 114 North, Range 23 West, Jordan, Scott County, Minnesota. The existing Facility is designed for a continuous discharge (SD001) to Sand Creek and to treat an average wet weather flow of 1.289 million gallons per day (mgd), 0.58 mgd daily average annual flow, 1.968 mgd peak hourly wet weather flow, 1044.5 pound per day (lb/day) of carbonaceous biochemical oxygen demand (CBOD5), 1160.6 lb/day total suspended solids (TSS), and 232.1 lb/day of total Kjeldahl nitrogen.

The application and plans indicate that the existing treatment system consists of a mechanical treatment facility with a mechanically cleaned bar screen, gravity grit removal, extended aeration activated sludge with biological phosphorus removal, two final clarifiers, chlorine disinfection, dechlorination, alum addition for phosphorus removal, aerobic digestion, 180-day sludge storage, and land application of biosolids. The existing north primary pond will be utilized as a flow equalization basin. No direct discharge will occur from the pond, but routed through the mechanical facility before discharge.

This is a **Class B Facility**.

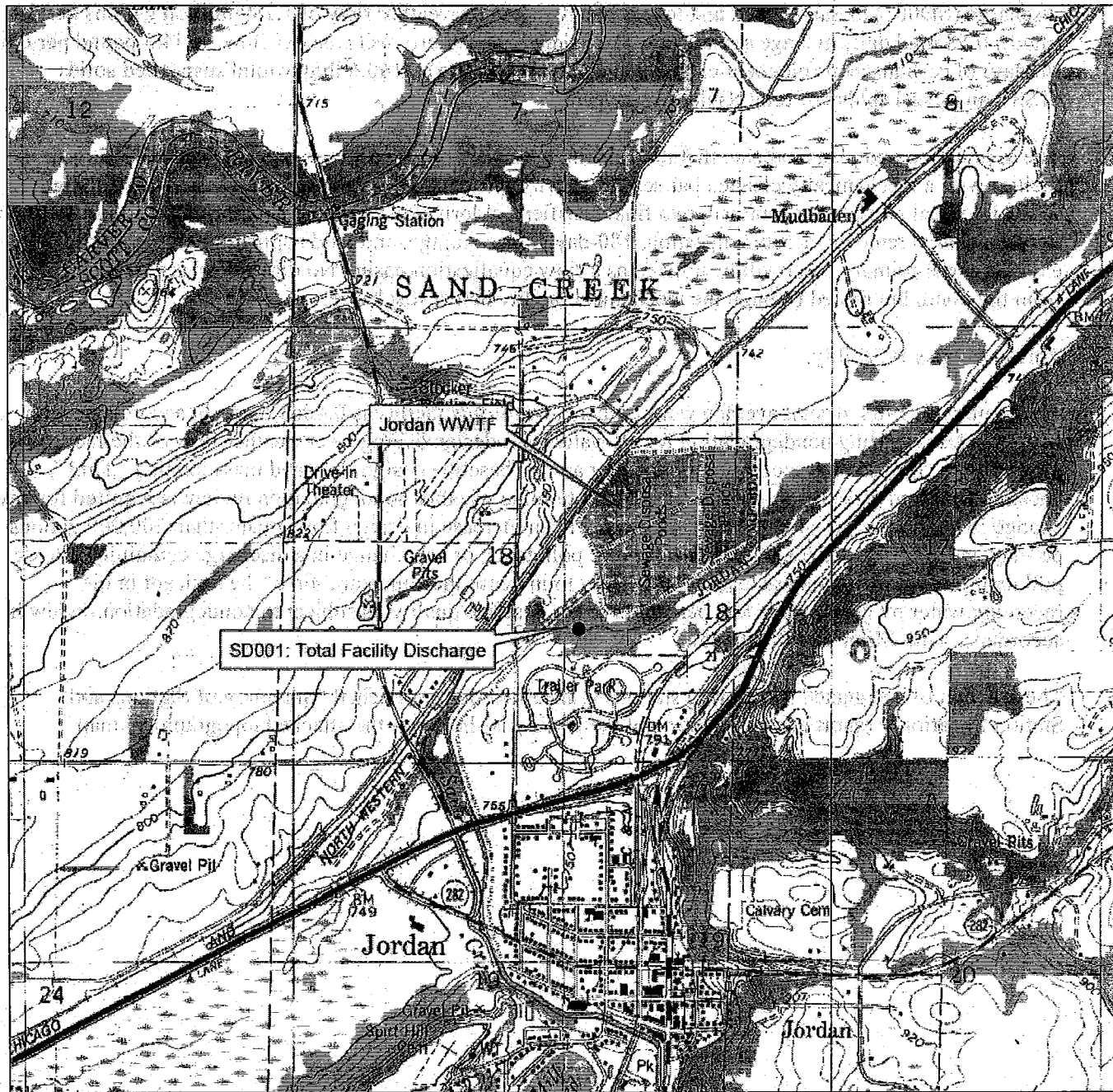
The January 1, 1988, design average wet weather flow for this facility is 0.4868 mgd. In accordance with MPCA rules regarding nondegradation for all waters, the design average wet weather flow of the facility as of January 1, 1988, and associated mass loading are the baseline design flow and mass loading. This baseline flow and mass loading will be used to determine whether nondegradation review is required for any change in the discharge. Any change that results in an increase in design flow greater than 200,000 gallons per day and an increased loading of one or more pollutants, or any change in a discharge containing a toxic pollutant that results in a mass loading rate likely to increase the concentration of the toxicant in the receiving water by greater than one percent over the baseline quality, is subject to nondegradation review in accordance with Minn. R. 7050.0185.

The location of designated monitoring stations is specified on the attached "Summary of Stations and Station Locations" report and the location of the facility is shown on the attached topographical map.

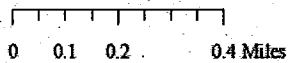


### Topographic Map of Permitted Facility

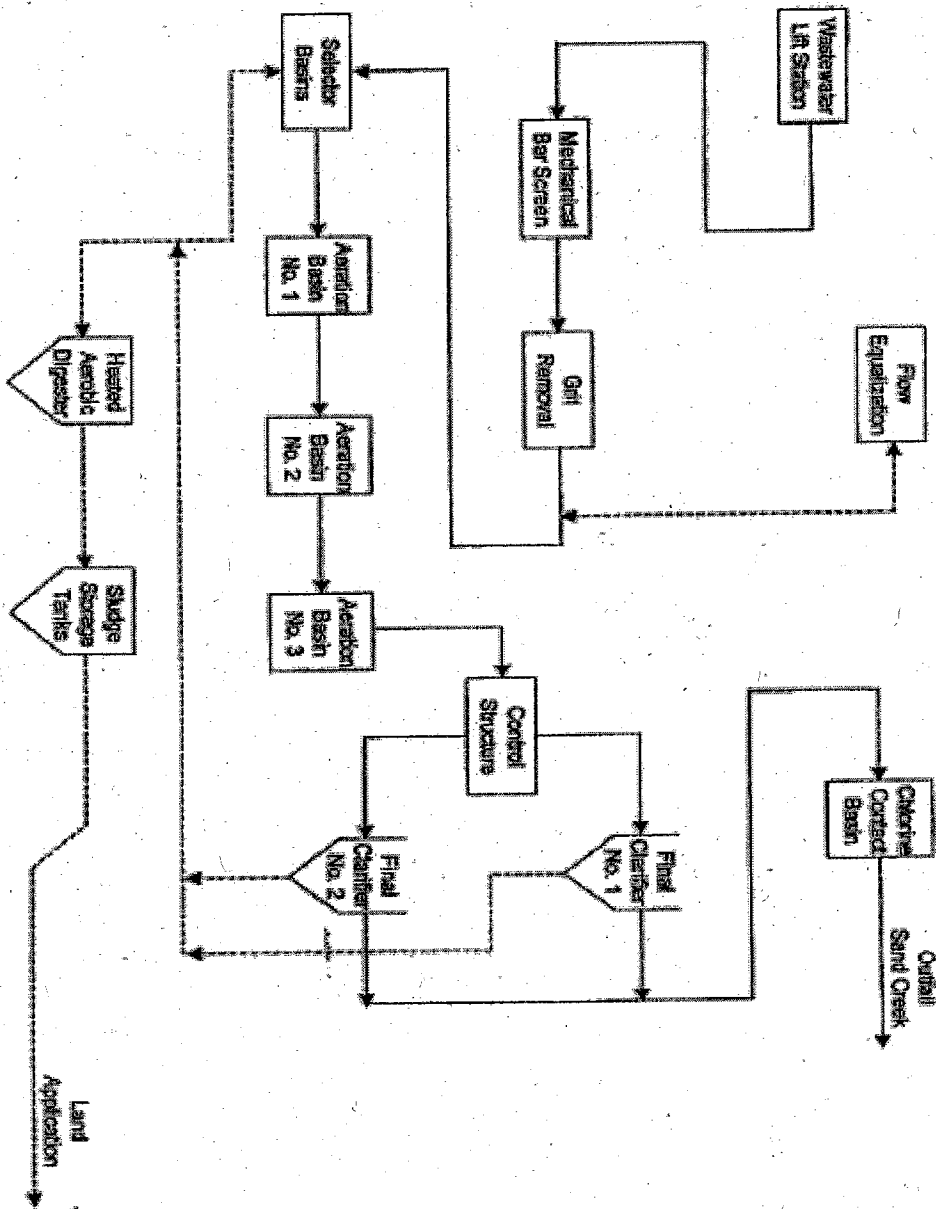
MN0020869 Jordan WWTF  
SE1/4 of the NE1/4, Section 18, T114N, R23W  
Jordan, Scott County, Minnesota



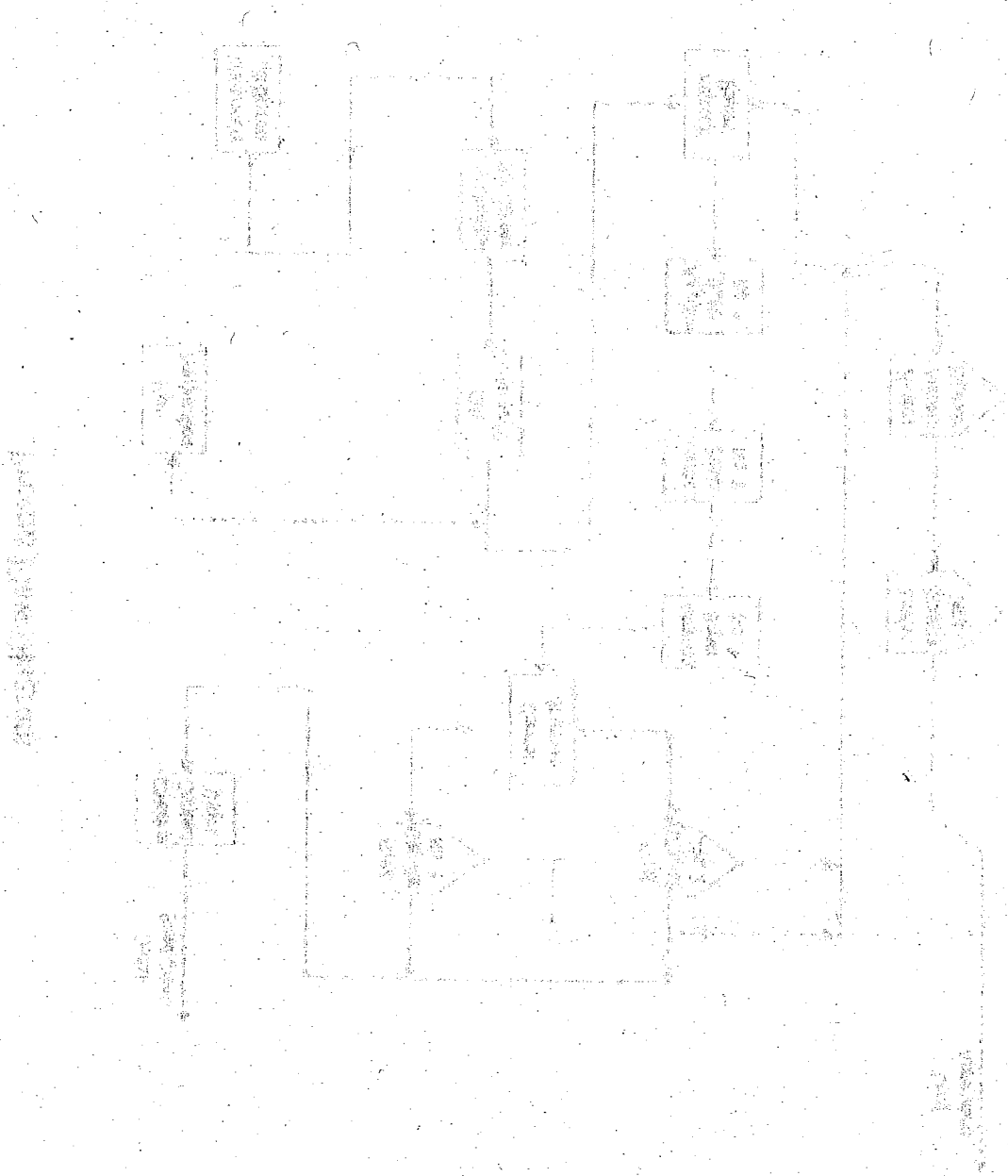
Map produced: MPCA staff 11/10/2009  
Source: USGS Jordan Quad  
Scale: 20,000



# Facility Flow Diagram



Process Flow Diagram



# Jordan WWTP Summary of Stations

## Surface Discharge Stations

<u>Station</u>	<u>Type of Station</u>	<u>Local Name</u>	<u>PLS Location</u>
SD001	Effluent To Surface Water	Facility Discharge	SE Quarter of the NE Quarter of Section 18, Township 114 North, Range 23 West

## Waste Stream Stations

<u>Station</u>	<u>Type of Station</u>	<u>Local Name</u>	<u>PLS Location</u>
WS001	Influent Waste	Influent waste stream	Section 18, Township 114 North, Range 23 West

Page 1

THE UNIVERSITY OF CHICAGO

Department of Chemistry

1. Introduction

2. Methods

3. Results

4. Discussion

5. Conclusion

6. References

## Jordan WWTP Limits and Monitoring Requirements

The Permittee shall comply with the limits and monitoring requirements as specified below.

## SD 001: Facility Discharge

Parameter	Limit	Units	Limit Type	Effective Period	Sample Type	Frequency	Notes
Bicarbonates	Monitor Only	mg/L	Calendar Month Maximum	Jan-Dec	24-Hour Flow Composite	1 x Month	
BOD, Carbonaceous 05 Day (20 Deg C)	73.2	kg/day	Calendar Month Average	Jan-Dec	24-Hour Flow Composite	1 x Week	
BOD, Carbonaceous 05 Day (20 Deg C)	15	mg/L	Calendar Month Average	Jan-Dec	24-Hour Flow Composite	1 x Week	
BOD, Carbonaceous 05 Day (20 Deg C)	121.9	kg/day	Maximum Calendar Week Average	Jan-Dec	24-Hour Flow Composite	1 x Week	
BOD, Carbonaceous 05 Day (20 Deg C)	25	mg/L	Maximum Calendar Week Average	Jan-Dec	24-Hour Flow Composite	1 x Week	
BOD, Carbonaceous 05 Day (20 Deg C) Percent Removal	85	%	Minimum Calendar Month Average	Jan-Dec	Calculation	1 x Week	
Chloride, Total	Monitor Only	mg/L	Calendar Month Maximum	Jan-Dec	24-Hour Flow Composite	1 x Month	
Chlorine, Total Residual	0.038	mg/L	Daily Maximum	Jan-Dec	Grab	1 x Day	4
Fecal Coliform, MPN or Membrane Filter 44.5C	200	#100ml	Calendar Month Geometric Mean	Apr-Oct	Grab	1 x Week	
Flow	Monitor Only	mgd	Calendar Month Average	Jan-Dec	Measurement, Continuous	1 x Day	3
Flow	Monitor Only	mgd	Calendar Month Maximum	Jan-Dec	Measurement, Continuous	1 x Day	3
Flow	Monitor Only	MG	Calendar Month Total	Jan-Dec	Measurement, Continuous	1 x Day	3
Hardness, Calcium & Magnesium, Calculated (as CaCO <sub>3</sub> )	Monitor Only	mg/L	Calendar Month Maximum	Jan-Dec	24-Hour Flow Composite	1 x Month	
Mercury, Total (as Hg)	Monitor Only	ng/L	Calendar Month Average	Jan, July	Grab	1 x Month	2
Nitrite Plus Nitrate, Total (as N)	Monitor Only	mg/L	Calendar Month Average	Apr, Sep	24-Hour Flow Composite	1 x Month	
Nitrogen, Ammonia, Total (as N)	37.5	kg/day	Calendar Month Average	Dec-Mar	24-Hour Flow Composite	1 x Week	
Nitrogen, Ammonia, Total (as N)	7.7	mg/L	Calendar Month Average	Dec-Mar	24-Hour Flow Composite	1 x Week	
Nitrogen, Ammonia, Total (as N)	6.3	kg/day	Calendar Month Average	Apr-May	24-Hour Flow Composite	1 x Week	
Nitrogen, Ammonia, Total (as N)	1.3	mg/L	Calendar Month Average	Apr-May	24-Hour Flow Composite	1 x Week	
Nitrogen, Ammonia, Total (as N)	4.9	kg/day	Calendar Month Average	Jun-Sep	24-Hour Flow Composite	1 x Week	
Nitrogen, Ammonia, Total (as N)	1.0	mg/L	Calendar Month Average	Jun-Sep	24-Hour Flow Composite	1 x Week	
Nitrogen, Ammonia, Total (as N)	9.3	kg/day	Calendar Month Average	Oct-Nov	24-Hour Flow Composite	1 x Week	
Nitrogen, Ammonia, Total (as N)	1.9	mg/L	Calendar Month Average	Oct-Nov	24-Hour Flow Composite	1 x Week	
Nitrogen, Kjeldahl, Total	Monitor Only	mg/L	Calendar Month Average	Apr, Sep	24-Hour Flow Composite	1 x Month	
Oxygen, Dissolved	6	mg/L	Calendar Month Minimum	Jan-Dec	Grab	1 x Day	1
pH	9.0	SU	Calendar Month Maximum	Jan-Dec	Grab	1 x Week	1
pH	6.0	SU	Calendar Month Minimum	Jan-Dec	Grab	1 x Week	1
Phosphorus, Total (as P)	1.0	mg/L	Calendar Year Average	Jan-Dec	24-Hour Flow Composite	1 x Week	

**Jordan WWTP**  
**Limits and Monitoring Requirements**

The Permittee shall comply with the limits and monitoring requirements as specified below.

**SD 001: Facility Discharge**

Parameter	Limit	Units	Limit Type	Effective Period	Sample Type	Frequency	Notes
Phosphorus, Total (as P)	1781	kg/yr	Calendar Year To Date Total	Jan-Dec	Calculation	1 x Week	
Sodium, Total (as Na)	Monitor Only	mg/L	Calendar Month Maximum	Jan-Dec	24-Hour Flow Composite	1 x Month	
Solids, Total Dissolved (TDS)	Monitor Only	mg/L	Calendar Month Maximum	Jan-Dec	24-Hour Flow Composite	1 x Month	
Solids, Total Suspended (TSS)	146.3	kg/day	Calendar Month Average	Jan-Dec	24-Hour Flow Composite	1 x Week	
Solids, Total Suspended (TSS)	30	mg/L	Calendar Month Average	Jan-Dec	24-Hour Flow Composite	1 x Week	
Solids, Total Suspended (TSS)	219.3	kg/day	Maximum Calendar Week Average	Jan-Dec	24-Hour Flow Composite	1 x Week	
Solids, Total Suspended (TSS)	45	mg/L	Maximum Calendar Week Average	Jan-Dec	24-Hour Flow Composite	1 x Week	
Solids, Total Suspended (TSS) Percent Removal	85	%	Minimum Calendar Month Average	Jan-Dec	Calculation	1 x Week	
Specific Conductance	Monitor Only	umh/cm	Calendar Month Maximum	Jan-Dec	Measurement	1 x Month	
Sulfate, Total (as SO4)	Monitor Only	mg/L	Calendar Month Maximum	Jan-Dec	24-Hour Flow Composite	1 x Month	

**WS 001: Influent waste stream**

Parameter	Limit	Units	Limit Type	Effective Period	Sample Type	Frequency	Notes
BOD, Carbonaceous 05 Day (20 Deg C)	Monitor Only	mg/L	Calendar Month Average	Jan-Dec	24-Hour Flow Composite	1 x Week	
BOD, Carbonaceous 05 Day (20 Deg C)	Monitor Only	mg/L	Calendar Month Maximum	Jan-Dec	24-Hour Flow Composite	1 x Week	
Mercury, Total (as Hg)	Monitor Only	ng/L	Calendar Month Average	Jan, July	Grab	1 x Month	2
pH	Monitor Only	SU	Calendar Month Maximum	Jan-Dec	Grab	1 x Week	1
pH	Monitor Only	SU	Calendar Month Minimum	Jan-Dec	Grab	1 x Week	1
Phosphorus, Total (as P)	Monitor Only	mg/L	Calendar Month Average	Jan-Dec	24-Hour Flow Composite	1 x Week	
Precipitation	Monitor Only	in	Calendar Month Total	Jan-Dec	Measurement	1 x Day	
Solids, Total Suspended (TSS)	Monitor Only	mg/L	Calendar Month Average	Jan-Dec	24-Hour Flow Composite	1 x Week	
Solids, Total Suspended (TSS)	Monitor Only	mg/L	Calendar Month Maximum	Jan-Dec	24-Hour Flow Composite	1 x Week	

**Notes:**  
 1 -- Analyze immediately.  
 2 -- EPA method 1631, with clean techniques method 1669, and any revisions to those methods. Please refer to Chapter 7. Mercury Minimization plan for further information.  
 3 -- Influent flow measurements are to be reported on the SD001 DMR. You do not need to install effluent flow meters.  
 4 -- Whenever chlorine is added. Analyze immediately. This means within 15 minutes or less of sample collection. A Method Detection Limit and a Reporting Limit must be established for this parameter. The Reporting Limit cannot be greater than 0.1 mg/L.

**Jordan WWTP**  
**Limits and Monitoring Requirements**

The Permittee shall comply with the limits and monitoring requirements as specified below.



# THE UNIVERSITY OF CHICAGO

THE UNIVERSITY OF CHICAGO

## Chapter 1. Surface Discharge Stations

### 1. Special Requirements

- 1.1 Additional nitrogen and ammonia monitoring is required by the Code of Federal Regulations under 40 cfr 122.21j. Effluent monitoring is required two times per year, in April and September for Total Nitrite-Nitrate as (N), Total Nitrogen Kjeldahl and Total Dissolved Solids. Samples shall be collected from the total effluent discharge. The results of the monitoring will be recorded on the Nitrogen Supplemental Form.
- 1.2 This permit includes monitoring requirements for parameters associated with a salty discharge. These parameters must be sampled for once per month. After two years of monitoring, data will be reviewed for the reasonable potential to exceed a limits. If the monitoring data does not indicate a potential to exceed a limit, the Permittee may request a reduction in monitoring.

#### Phosphorus

- 1.3 The Calendar Year to Date Total Phosphorus limit in units of kg/year is calculated as follows: For each month, multiply the total volume of effluent flow (in million gallons) by the monthly average concentration of effluent Phosphorus (in mg/L) and by a 3.785 conversion factor (liters per gallon) to get Phosphorus in units of kg/month. Then add all monthly values from the first month in the effective period to the end date of the reporting period. For example, if the "effective period" is Jan-Dec and the reporting period ends June 30th, add the monthly values from January through June and report that value as the Calendar Year to Date Total.

### 2. Requirements for Specific Stations

- 2.1 SD 001: Submit a monthly DMR by 21 days after the end of each calendar month following permit issuance.

### 3. Sampling Location

- 3.1 Samples for Station SD001 shall be taken after the chlorination and dechlorination units and be representative of the total discharge from the facility.

### 4. Surface Discharges

- 4.1 Floating solids or visible foam shall not be discharged in other than trace amounts.
- 4.2 Oil or other substances shall not be discharged in amounts that create a visible color film.
- 4.3 The Permittee shall install and maintain outlet protection measures at the discharge stations to prevent erosion.

### 5. Winter Sampling Conditions

- 5.1 The Permittee shall sample flows at the designated monitoring stations including when this requires removing ice to sample the water. If the station is completely frozen throughout a designated sampling month, the Permittee shall check the "No Discharge" box on the Discharge Monitoring Report (DMR) and note the ice conditions in Comments on the DMR.

### 6. Discharge Monitoring Reports

- 6.1 The Permittee shall submit monitoring results for discharges in accordance with the limits and monitoring requirements for this station. If no discharge occurred during the reporting period, the Permittee shall check the "No Discharge" box on the Discharge Monitoring Report (DMR).

## Chapter 2. Waste Stream Stations

### 1. Requirements for Specific Stations

- 1.1 WS 001: Submit a monthly DMR by 21 days after the end of each calendar month following permit issuance.

## Chapter 2. Waste Stream Stations

### 2. Sampling Location

- 2.1 Samples for Station WS001 shall be taken in the headworks building, prior to grit removal and be representative of the total facility influent.

## Chapter 3. Domestic Wastewater -- Mechanical System

### 1. Bypass Structures

- 1.1 All structures capable of bypassing the treatment system shall be manually controlled and kept locked at all times.

### 2. Sanitary Sewer Extension Permit

- 2.1 The Permittee may be required to obtain a Sanitary Sewer Extension Permit from the MPCA prior to the start of construction of any addition, extension or replacement to the sanitary sewer. If a sewer extension permit is required, no construction of any part of the system may begin until that permit has been issued.

### 3. Operator Certification

- 3.1 The Permittee shall provide a Class B state certified operator who is in direct responsible charge of the operation, maintenance and testing functions required to ensure compliance with the terms and conditions of this permit.
- 3.2 The Permittee shall provide the appropriate number of operators with a Type IV certification to be responsible for the land application of biosolids or semisolids from commercial or industrial operations.
- 3.3 If the Permittee chooses to meet operator certification requirements through a contractual agreement, the Permittee shall provide a copy of the contract to the MPCA, WQ Submittals Center. The contract shall include the certified operator's name, certificate number, company name if appropriate, the period covered by the contract and provisions for renewal; the duties and responsibilities of the certified operator; the duties and responsibilities of the permittee; and provisions for notifying the MPCA 30 days in advance of termination if the contract is terminated prior to the expiration date.
- 3.4 The Permittee shall notify the MPCA within 30 days of a change in operator certification or contract status.

## Chapter 4. Domestic Wastewater -- Pond System

### 1. Ponds - Observations

- 1.1 The Permittee shall inspect the pond system weekly, and shall take measurements of pond water depth, estimate the coverage of aquatic plants, floating mats and ice cover on the surface of the ponds, and note odors, the condition of the dikes and the presence of muskrats. The Permittee shall maintain records of these weekly inspections for the last three (3) years, and submit the results on the Discharge Monitoring Report (DMR) supplemental form.
- 1.2 The Permittee shall maintain daily precipitation records.

## Chapter 5. Biosolids Land Application

### 1. Authorization

- 1.1 This permit authorizes the Permittee to store and land apply domestic wastewater treatment biosolids in accordance with the provisions in this chapter and Minnesota Rules, ch. 7041.

## Chapter 5. Biosolids Land Application

### 1. Authorization

- 1.2 Permittees who prepare bulk biosolids must obtain approval of the sites on which bulk biosolids are applied before they are applied unless they are exceptional quality biosolids. Site application procedures are set forth in Minnesota Rules, pt. 7041.0800.

### 2. Compliance Responsibility

- 2.1 The Permittee is responsible for ensuring that the applicable requirements in this chapter and Minnesota Rules ch. 7041 are met when biosolids are prepared, distributed, or applied to the land.

### 3. Notification Requirements

- 3.1 The Permittee shall provide information needed to comply with the biosolids requirements of Minnesota Rules, ch. 7041 to others who prepare or use the biosolids.

### 4. Pollutant Limits

- 4.1 Biosolids which are applied to the land must not exceed the ceiling concentrations in Table 1 and must not be applied so that the cumulative amounts of pollutant in Table 2 are exceeded.

Table 1 Ceiling Concentrations (dry weight basis)

Parameter in units mg/kg

Arsenic 75

Cadmium 85

Copper 4300

Lead 840

Mercury 57

Molybdenum 75

Nickel 420

Selenium 100

Zinc 7500

Table 2 Cumulative Loading Limits

Parameter in units lbs/acre

Arsenic 37

Cadmium 35

Copper 1339

Lead 268

Mercury 15

Molybdenum not established\*

Nickel 375

Selenium 89

Zinc 2500

\*The cumulative limit for molybdenum has not been established at the time of permit issuance

### 5. Pathogen and Vector Attraction Reduction

- 5.1 Biosolids shall be processed, treated, or be incorporated or injected into the soil to meet one of the vector attraction reduction requirements in Minnesota Rules, pt. 7041.1400.

## Chapter 5. Biosolids Land Application

### 5. Pathogen and Vector Attraction Reduction

5.2 Biosolids shall be processed or treated by one of the alternatives in Minnesota Rules, pt. 7041.1300 to meet the Class A or Class B standards for the reduction of pathogens. When Class B biosolids are applied to the land, the site restrictions in Minnesota Rules, pt. 7041.1300 must also be met.

5.3 The minimum duration between application and harvest, grazing or public access to areas where Class B biosolids have been applied to the land is as follows:

- a. 14 months for food crops whose harvested parts may touch the soil/biosolids mixture (such as melons, squash, tomatoes, etc.), when biosolids are surface applied, incorporated or injected.
- b. 20 months or 38 months depending on the application method for food crops whose harvested parts grow in the soil (such as potatoes, carrots, onions, etc.). The 20 month time period is required when biosolids are surface applied or surface applied and incorporated after they have been on the soil surface for at least four (4) months. The 38 month time period is required when the biosolids are injected or surface applied and incorporated within four (4) months of application.
- c. 30 days for feed crops, other food crops (such as field corn, sweet corn, etc.), hay or fiber crops when biosolids are surface applied, incorporated or injected.
- d. 30 days for grazing of animals when biosolids are surface applied, incorporated or injected.
- e. One year where there is a high potential for public contact with the site, (such as a reclamation site located in populated areas, a construction site located in a city, turf farms, plant nurseries, etc.) and 30 days where there is low potential for public contact (such as agricultural land, forest, a reclamation site located in an unpopulated area, etc.) when biosolids are surface applied, incorporated, or injected.

### 6. Management Practices

6.1 The management practices for the land application of biosolids are described in detail in Minnesota Rules, pt. 7041.1200 and must be followed unless specified otherwise in a site approval letter or a permit issued by the MPCA.

6.2 Overall management requirements:

- a. Biosolids must not be applied to the land if it is likely to adversely affect a threatened or endangered species listed under Section 4 of the Endangered Species Act or its designated critical habitat.
- b. Biosolids must not be applied to flooded, frozen or snow covered ground so that the biosolids enter wetlands or other waters of the state.
- c. Biosolids must be applied at an agronomic rate unless specified otherwise by the MPCA in a permit.
- d. Biosolids shall not be applied within 33 feet of a wetland or waters of the state unless specified otherwise by the MPCA in a permit.

### 7. Monitoring Requirements

7.1 Representative samples of biosolids applied to the land must be analyzed by methods specified in Minnesota Rule pt. 7041.3200 for the following parameters: arsenic, cadmium, copper, lead, mercury, molybdenum, nickel, selenium, zinc, Kjeldahl nitrogen, ammonia nitrogen, total solids, volatile solids, phosphorus, potassium and pH.

## Chapter 5. Biosolids Land Application

### 7. Monitoring Requirements

- 7.2 At a minimum, biosolids must be monitored at the frequencies specified in Table 3 for the parameters listed above, and any pathogen or vector attraction reduction requirements in Minnesota Rules, pts. 7041.1300 and 7041.1400 if used to determine compliance with those parts.

Table 3 Minimum Sampling Frequencies

Biosolids Applied* (metric tons/365-day period)	Biosolids Applied* (tons/365-day period)	Frequency (times/365-day period)
>0 but <290	>0 but <320	1
>=290 but <1,500	>=320 but <1,650	4
>=1,500 but <15,000	>=1,650 but <16,500	6
>=15,000	>=16,500	12

\* Either the amount of bulk biosolids applied to the land or the amount of biosolids received by a person who prepares biosolids that are sold or given away in a bag or other container for application to the land (dry weight basis).

- 7.3 Representative samples of biosolids that are transferred to storage units and are stored for more than two years shall be analyzed by methods specified in Minnesota Rule pt. 7041.3200 for each cropping year they are stored for the following parameters: arsenic, cadmium, copper, lead, molybdenum, nickel, selenium, and zinc. Mercury is specifically NOT included in the stored biosolids analysis because of the short holding time [28 days] required between sampling and analysis.
- 7.4 Increased sampling frequencies are specified for the parameters listed in Table 4. Sampling at a frequency at twice the minimum frequencies in Table 3 is required if concentrations listed in Table 4 are exceeded (based on the average of all analyses made during the previous cropping year).

Table 4 Increased Frequency of Sampling

Parameter (mg/kg dry weight basis)
Arsenic 38
Cadmium 43
Copper 2150
Lead 420
Mercury 28
Molybdenum 38
Nickel 210
Selenium 50
Zinc 3750

### 8. Records

- 8.1 The Permittee shall keep records of the information necessary to show compliance with pollutant concentrations and loadings, pathogen reduction requirements, vector attraction reduction requirements and management practices as specified in Minnesota Rules, pt. 7041.1600, as applicable to the quality of biosolids produced.

### 9. Reporting Requirements

- 9.1 By December 31 following the end of each cropping year, the Permittee shall submit a Biosolids Annual Report for the land application of biosolids on a form provided by or approved by the MPCA. The report shall include the requirements in Minnesota Rules, part 7041.1700.

**Chapter 5. Biosolids Land Application**

**9. Reporting Requirements**

9.2 If, during any cropping year, biosolids were transferred, or not land applied, the Permittee shall submit a Biosolids Annual Report by December 31 following the end of the cropping year. The report shall state that biosolids were not land applied, how much was generated, and where they were transferred to.

9.3 For biosolids that are stored for more than two years, the Biosolids Annual Report must also include the analytical data from the representative sample of the biosolids generated during the cropping year.

9.4 The Permittee shall submit the Biosolids Annual Report to:

Biosolids Coordinator  
Minnesota Pollution Control Agency  
520 Lafayette Road North  
St. Paul, Minnesota 55155-4194

9.5 The Permittee must notify the MPCA in writing when 90 percent or more of any of the cumulative pollutant loading rates listed for any Land Application Sites has been reached for a site.

**Chapter 6. Pretreatment**

**1. Pretreatment - Definitions**

1.1 An "Individual Control Mechanism" is a document, such as an agreement or permit, that imposes limitations or requirements on an individual industrial user of the POTW.

1.2 "Significant Industrial User" (SIU) means any industrial user that:

- a. discharges 25,000 gallons per day or more of process wastewater;
- b. contributes a load of five (5) % or more of the capacity of the POTW; or
- c. is designated as significant by the Permittee or the MPCA on the basis that the SIU has a reasonable potential to adversely impact the POTW, or the quality of its effluent or residuals. (Minn. R. 7049.0120, Subp. 24)

**2. Pretreatment - Permittee Responsibility to Control Users**

2.1 It is the Permittee's responsibility to regulate the discharge from users of its wastewater treatment facility. The Permittee shall prevent any pass through of pollutants or any inhibition or disruption of the Permittee's facility, its treatment processes, or its sludge processes or disposal that contribute to the violation of the conditions of this permit or any federal or state law or regulation limiting the release of pollutants from the POTW. (Minn. R. 7049.0600)

## Chapter 6. Pretreatment

### 2. Pretreatment - Permittee Responsibility to Control Users

2.2 The Permittee shall prohibit the discharge of the following to its wastewater treatment facility:

- a. pollutants which create a fire or explosion hazard, including any discharge with a flash point less than 60 degrees C (140 degrees F);
- b. pollutants which would cause corrosive structural damage to the POTW, including any waste stream with a pH of less than 5.0;
- c. solid or viscous pollutants which would obstruct flow;
- d. heat that would inhibit biological activity, including any discharge that would cause the temperature of the waste stream at the POTW treatment plant headworks to exceed 40 degrees C (104 degrees F);
- e. pollutants which produce toxic gases, vapors, or fumes that may endanger the health or safety of workers; or
- f. any pollutant, including oxygen demanding pollutants such as biochemical oxygen demand, released at a flow rate or pollutant concentration that will cause interference or pass through. (Minn. R. 7049.0140)

2.3 The Permittee shall prohibit new discharges of non-contact cooling waters unless there is no cost effective alternative. Existing discharges of non-contact cooling water to the Permittee's wastewater treatment facility shall be eliminated, where elimination is cost-effective, or where an infiltration/inflow analysis and sewer system evaluation survey indicates the need for such removal.

2.4 If the Permittee accepts trucked-in wastes, the Permittee shall evaluate the trucked in wastes prior to acceptance in the same manner as it monitors seweraged wastes. The Permittee shall accept trucked-in wastes only at specifically designated points. (Minn. R. 7049.0140, Subp. 4)

2.5 Pollutant of concern means a pollutant that is or may be discharged by an industrial user that is, or reasonably should be of concern on the basis that it may cause the permittee to violate any permit limits on the release of pollutants. The following pollutants shall be evaluated to determine if they should be pollutants of concern: pollutants limited in this permit, pollutants for which monitoring is required in this permit, pollutants that are likely to cause inhibition of the Permittee's POTW, pollutants which may interfere with sludge disposal and pollutants for which the Permittee's treatment facility has limited capacity. (Minn. R. 7049.0120, Subp. 13)

### 3. Control of Significant Industrial Users

3.1 The Permittee shall impose pretreatment requirements on SIUs which will ensure compliance with all applicable effluent limitations and other requirements set forth in this permit or any federal or state law or regulation limiting the release of pollutants from the POTW. These requirements shall be applied to SIUs by means of an individual control mechanism. (Minn. R. 7049.0600)

3.2 The Permittee shall not knowingly enter into an individual control mechanism with any user that would allow the user to contribute an amount or strength of wastewater that would cause violation of any limitation or requirement in the permit, or any applicable federal, state or local law or regulation. (Minn. R. 7049.0600 Subp. 3)

### 4. Monitoring of Significant Industrial Users

4.1 The Permittee shall obtain from SIUs specific information on the quality and quantity of the SIU's discharges to the Permittee's POTW. Except where specifically requested by the Permittee and approved by the MPCA, this information shall be obtained by means of representative monitoring conducted by the Permittee or by the SIU under requirements imposed by the Permittee in the SIU's individual control mechanism. Monitoring performed to comply with this requirement shall include all pollutants for which the SIU is significant and shall be done at a frequency commensurate with the significance of the SIU. (Minn. R. 7049.0710)



## Chapter 6. Pretreatment

### 5. Reporting and Notification

5.1 If a SIU discharges to the POTW during a given calendar year, the Permittee shall submit a Pretreatment Annual Report for that calendar year, due by January 31 of the following year. The Pretreatment Annual Report shall be submitted on forms provided by the agency or shall provide equivalent information.

The Permittee shall submit the pre-treatment report to the following address:

MPCA  
Attn: WQ Submittals Center  
520 Lafayette Road North  
St. Paul, Minnesota 55155-4194 (Minn. R. 7049.0720)

5.2 The Permittee shall notify the MPCA in writing of any:

- a. SIU of the Permittee's POTW which has not been previously disclosed to the MPCA;
- b. anticipated or actual changes in the volume or quality of discharge by an industrial user that could result in the industrial user becoming an SIU as defined in this chapter; or
- c. anticipated or actual changes in the volume or quality of discharges by a SIU that would require changes to the SIU's required local limits.

This notification shall be submitted within 30 days of identifying the IU as a SIU. Where changes are proposed, they must be submitted prior to changes being made. (Minn. R. 7049.0700, Subp. 1)

5.3 Upon notifying the MPCA of a SIU or change in a SIU discharge as required above, the Permittee shall submit the following information on forms provided by the agency or in a comparable format:

- a. the identity of the SIU and a description of the SIU's operation and process;
- b. a characterization of the SIU's discharge;
- c. the required local limits that will be imposed on the SIU;
- d. a technical justification of the required local limits; and
- e. a plan for monitoring the SIU which is consistent with monitoring requirements in this chapter. (Minn. R. 7049.0700)

5.4 In addition, the Permittee shall, upon request, submit the following to the MPCA for approval:

- a. additional information on the SIU, its processes and discharge;
- b. a copy of the individual control mechanism used to control the SIU;
- c. the Permittee's legal authority to be used for regulating the SIU; and
- d. the Permittee's procedures for enforcing the requirements imposed on the SIU. (Minn. R. 7049.0700, Subp. 3)

5.5 The permittee shall notify MPCA of any of its industrial users that may be subject to national categorical pretreatment standards.

## Chapter 6. Pretreatment

### 5. Reporting and Notification

5.6 This permit may be modified in accordance with Minnesota Rules, ch. 7001 to require development of a pretreatment program approvable under the Federal General Pretreatment Regulation (40 CFR 403).

## Chapter 7. Non-waste Streams -- Mercury Minimization Plan

### 1. Mercury Pollutant Minimization Plan

1.1 Mercury is present in all municipal and many industrial wastewater discharges. Mercury is a powerful neurotoxin that affects human health and the environment. A naturally-occurring element, mercury does not break down into less-harmful substances over time. Instead, mercury released into the environment accumulates in fish and animal tissues, a process known as bioaccumulation. Widespread mercury contamination has prompted the Minnesota Department of Health (MDH) to issue fish consumption advisories throughout the state. Most of Minnesota's impaired waters are contaminated by mercury and other bioaccumulative toxins. The MPCA is carefully evaluating all mercury discharges in the state.

1.2 The Permittee is required to complete and submit a Mercury Pollutant Minimization Plan (MMP) to the MPCA as detailed in this section. If the Permittee has previously submitted a MMP, it must update its MMP and submit the updated MMP to the MPCA. The purpose of the MMP is to evaluate collection and treatment systems to determine possible sources of mercury as well as potential mercury reduction options. Guidelines for developing a MMP are detailed in this section.

1.3 The Permittee shall submit a Pollutant Minimization Plan by 180 days before permit expiration. At a minimum, the MMP must include the following:

- a) A summary of mercury influent and effluent concentrations and biosolids monitoring data using the most recent five years of monitoring data, if available.
- b) Identification of existing and potential sources of mercury concentrations and/or loading to the facility. As appropriate for your facility, you should consider residential, institutional, municipal, and commercial sources (such as dental clinics, hospitals, medical clinics, nursing homes, schools, and industries with potential for mercury contributions). You should also consider other influent mercury sources, such as stormwater inputs, ground water (inflow & infiltration) inputs, and waste streams or sewer tributaries to the wastewater treatment facility.
- c) An evaluation of past and present WWTF operations to determine those operating procedures that maximize mercury removal.
- d) A summary of any mercury reduction activities implemented during the last five years.
- e) A plan to implement mercury management and reduction measures during the next five years.

1.4 In addition to the sampling required in the Limits and Monitoring section of this permit, the Permittee shall sample effluent from the total facility discharge station for Dissolved Mercury and TSS twice per year throughout the life of this permit. The sampling method is a concurrent grab sample for the two parameters. Dissolved Mercury shall be analyzed using an EPA approved low level mercury analysis method. Samples shall be taken in January and July and reported on the custom supplemental form provided by the MPCA. The custom supplemental form must be submitted with the DMR for the month when sample is collected.

## Chapter 8. Total Residual Oxidants - Domestic

### 1. General Requirements

#### 1.1 "Daily Maximum" for Total Residual Chlorine (TRC) concentration limits means:

- a. The value of a single sample in a 24-hour period if the concentration of TRC in that sample is 0.038 mg/L or less, or below the Reportable Limit (RL).
  - b. If the concentration of TRC in the first sample is greater than 0.038 mg/L or greater than the RL, reporting the average of two to twelve samples analyzed in a 24-hour period is allowed. The second sample must be taken two hours after the first sample and subsequent samples are to be taken at one-hour intervals thereafter, not to exceed a total of twelve samples in a 24-hour period. Values below the Reportable Limit for TRC are assumed to be zero for averaging purposes only. Whenever daily TRC values are averaged, the 0.038 mg/L limit must be met and the average value must be reported, not < the RL.
  - c. The average value of multiple daily TRC effluent sample analyses must meet the 0.038 mg/L limit to be in compliance.
- 1.2 Total Residual Chlorine must be analyzed immediately. This means within 15 minutes or less of sample collection. (40 CFR Part 136 and Standard Methods for the Examination of Water and Wastewater, Latest Edition)
- 1.3 A Method Detection Limit (MDL) must be established for this parameter.
- 1.4 The Reportable Limit must be established for this parameter. This should be based on the Method Detection Limit and laboratory, analyst, and equipment used in the analysis. The Reportable Limit cannot be greater than 0.1 mg/L.
- 1.5 The Method Detection Limit and Reportable Limit should be reassessed when the method, equipment, laboratory, or analyst changes.
- 1.6 Monitoring results below the Reportable Limit should be reported as "<" the Reportable Limit. For example, if the Reportable Limit is 0.01 mg/L and a parameter is not detected at a value of 0.01 mg/L or greater, the concentration shall be reported as "<0.01mg/L." The symbol "<" means "less than."
- 1.7 The equipment should be checked against a known standard at least monthly.

## Chapter 9. Facility Specific Definitions

### 1. Definitions

- 1.1 Please refer to the 'Permit Users Manual' included with the permit for standard definitions.

## Chapter 10. Total Facility Requirements

### 1. General Requirements

#### General Requirements

- 1.1 Incorporation by Reference. The following applicable federal and state laws are incorporated by reference in this permit, are applicable to the Permittee, and are enforceable parts of this permit: 40 CFR pts. 122.41, 122.42, 136, 403 and 503; Minn. R. pts. 7001, 7041, 7045, 7050, 7052, 7053, 7060, and 7080; and Minn. Stat. Sec. 115 and 116.
- 1.2 Permittee Responsibility. The Permittee shall perform the actions or conduct the activity authorized by the permit in compliance with the conditions of the permit and, if required, in accordance with the plans and specifications approved by the Agency. (Minn. R. 7001.0150, subp. 3, item E)

## Chapter 10. Total Facility Requirements

### 1. General Requirements

- 1.3 Toxic Discharges Prohibited. Whether or not this permit includes effluent limitations for toxic pollutants, the Permittee shall not discharge a toxic pollutant except according to Code of Federal Regulations, Title 40, sections 400 to 460 and Minnesota Rules 7050, 7052, 7053 and any other applicable MPCA rules. (Minn. R. 7001.1090, subp.1, item A)
- 1.4 Nuisance Conditions Prohibited. The Permittee's discharge shall not cause any nuisance conditions including, but not limited to: floating solids, scum and visible oil film, acutely toxic conditions to aquatic life, or other adverse impact on the receiving water. (Minn. R. 7050.0210 subp. 2)
- 1.5 Property Rights. This permit does not convey a property right or an exclusive privilege. (Minn. R. 7001.0150, subp. 3, item C)
- 1.6 Liability Exemption. In issuing this permit, the state and the MPCA assume no responsibility for damage to persons, property, or the environment caused by the activities of the Permittee in the conduct of its actions, including those activities authorized, directed, or undertaken under this permit. To the extent the state and the MPCA may be liable for the activities of its employees, that liability is explicitly limited to that provided in the Tort Claims Act. (Minn. R. 7001.0150, subp. 3, item O)
- 1.7 The MPCA's issuance of this permit does not obligate the MPCA to enforce local laws, rules, or plans beyond what is authorized by Minnesota Statutes. (Minn. R. 7001.0150, subp.3, item D)
- 1.8 Liabilities. The MPCA's issuance of this permit does not release the Permittee from any liability, penalty or duty imposed by Minnesota or federal statutes or rules or local ordinances, except the obligation to obtain the permit. (Minn. R. 7001.0150, subp.3, item A)
- 1.9 The issuance of this permit does not prevent the future adoption by the MPCA of pollution control rules, standards, or orders more stringent than those now in existence and does not prevent the enforcement of these rules, standards, or orders against the Permittee. (Minn. R. 7001.0150, subp.3, item B)
- 1.10 Severability. The provisions of this permit are severable, and if any provisions of this permit, or the application of any provision of this permit to any circumstance, is held invalid, the application of such provision to other circumstances and the remainder of this permit shall not be affected thereby.
- 1.11 Compliance with Other Rules and Statutes. The Permittee shall comply with all applicable air quality, solid waste, and hazardous waste statutes and rules in the operation and maintenance of the facility.
- 1.12 Inspection and Entry. When authorized by Minn. Stat. Sec. 115.04; 115B.17, subd. 4; and 116.091, and upon presentation of proper credentials, the agency, or an authorized employee or agent of the agency, shall be allowed by the Permittee to enter at reasonable times upon the property of the Permittee to examine and copy books, papers, records, or memoranda pertaining to the construction, modification, or operation of the facility covered by the permit or pertaining to the activity covered by the permit; and to conduct surveys and investigations, including sampling or monitoring, pertaining to the construction, modification, or operation of the facility covered by the permit or pertaining to the activity covered by the permit. (Minn. R. 7001.0150, subp.3, item D)
- 1.13 Control Users. The Permittee shall regulate the users of its wastewater treatment facility so as to prevent the introduction of pollutants or materials that may result in the inhibition or disruption of the conveyance system, treatment facility or processes, or disposal system that would contribute to the violation of the conditions of this permit or any federal, state or local law or regulation.

#### Sampling

- 1.14 Representative Sampling. Samples and measurements required by this permit shall be conducted as specified in this permit and shall be representative of the discharge or monitored activity. (40 CFR 122.41 (j)(1))

## Chapter 10. Total Facility Requirements

### 1. General Requirements

- 1.15 **Additional Sampling.** If the Permittee monitors more frequently than required, the results and the frequency of monitoring shall be reported on the Discharge Monitoring Report (DMR) or another MPCA-approved form for that reporting period. (Minn. R. 7001.1090, subp. 1, item E)
- 1.16 **Certified Laboratory.** A laboratory certified by the Minnesota Department of Health shall conduct analyses required by this permit. Analyses of dissolved oxygen, pH, temperature and total residual oxidants (chlorine, bromine) do not need to be completed by a certified laboratory but shall comply with manufacturers specifications for equipment calibration and use. (Minn. Stat. Sec. 144.97 through 144.98 and Minn. R. 4740.2010 and 4740.2050 through 4740.2120) (Minn. R. 4740.2010 and 4740.2050 through 2120)
- 1.17 **Sample Preservation and Procedure.** Sample preservation and test procedures for the analysis of pollutants shall conform to 40 CFR Part 136 and Minn. R. 7041.3200.
- 1.18 **Equipment Calibration: Flow meters, pumps, flumes, lift stations or other flow monitoring equipment used for purposes of determining compliance with permit shall be checked and/or calibrated for accuracy at least twice annually.** (Minn. R. 7001.0150, subp. 2, items B and C)
- 1.19 **Maintain Records.** The Permittee shall keep the records required by this permit for at least three years, including any calculations, original recordings from automatic monitoring instruments, and laboratory sheets. The Permittee shall extend these record retention periods upon request of the MPCA. The Permittee shall maintain records for each sample and measurement. The records shall include the following information (Minn. R. 7001.0150, subp. 2, item C):
- a. The exact place, date, and time of the sample or measurement;
  - b. The date of analysis;
  - c. The name of the person who performed the sample collection, measurement, analysis, or calculation; and
  - d. The analytical techniques, procedures and methods used; and
  - e. The results of the analysis.
- 1.20 **Completing Reports.** The Permittee shall submit the results of the required sampling and monitoring activities on the forms provided, specified, or approved by the MPCA. The information shall be recorded in the specified areas on those forms and in the units specified. (Minn. R. 7001.1090, subp. 1, item D; Minn. R. 7001.0150, subp. 2, item B)

#### Required forms may include:

##### DMR Supplemental Form

Individual values for each sample and measurement must be recorded on the DMR Supplemental Form which, if required, will be provided by the MPCA. DMR Supplemental Forms shall be submitted with the appropriate DMRs. You may design and use your own supplemental form; however it must be approved by the MPCA.

Note: Required summary information MUST also be recorded on the DMR. Summary information that is submitted ONLY on the DMR Supplemental Form does not comply with the reporting requirements.

## Chapter 10. Total Facility Requirements

### 1. General Requirements

#### 1.21 Submitting Reports. DMRs and DMR Supplemental Forms shall be submitted to:

MPCA

Attn: Discharge Monitoring Reports

520 Lafayette Road North

St. Paul, Minnesota 55155-4194.

DMRs and DMR Supplemental Forms shall be postmarked by the 21st day of the month following the sampling period or as otherwise specified in this permit. A DMR shall be submitted for each required station even if no discharge occurred during the reporting period. (Minn. R. 7001.0150, subs. 2.B and 3.H)

Other reports required by this permit shall be postmarked by the date specified in the permit to:

MPCA

Attn: WQ Submittals Center

520 Lafayette Road North

St. Paul, Minnesota 55155-4194

#### 1.22 Incomplete or Incorrect Reports. The Permittee shall immediately submit an amended report or DMR to the MPCA upon discovery by the Permittee or notification by the MPCA that it has submitted an incomplete or incorrect report or DMR. The amended report or DMR shall contain the missing or corrected data along with a cover letter explaining the circumstances of the incomplete or incorrect report. (Minn. R. 7001.0150 subp. 3, item G)

#### 1.23 Required Signatures. All DMRs, forms, reports, and other documents submitted to the MPCA shall be signed by the Permittee or the duly authorized representative of the Permittee. Minn. R. 7001.0150, subp. 2, item D. The person or persons that sign the DMRs, forms, reports or other documents must certify that he or she understands and complies with the certification requirements of Minn. R. 7001.0070 and 7001.0540, including the penalties for submitting false information. Technical documents, such as design drawings and specifications and engineering studies required to be submitted as part of a permit application or by permit conditions, must be certified by a registered professional engineer. (Minn. R. 7001.0540)

#### 1.24 Detection Level. The Permittee shall report monitoring results below the reporting limit (RL) of a particular instrument as "<" the value of the RL. For example, if an instrument has a RL of 0.1 mg/L and a parameter is not detected at a value of 0.1 mg/L or greater, the concentration shall be reported as "<0.1 mg/L." "Non-detected," "undetected," "below detection limit," and "zero" are unacceptable reporting results, and are permit reporting violations. (Minn. R. 7001.0150, subp. 2, item B)

Where sample values are less than the level of detection and the permit requires reporting of an average, the Permittee shall calculate the average as follows:

- If one or more values are greater than the level of detection, substitute zero for all nondetectable values to use in the average calculation.
- If all values are below the level of detection, report the averages as "<" the corresponding level of detection.
- Where one or more sample values are less than the level of detection, and the permit requires reporting of a mass, usually expressed as kg/day, the Permittee shall substitute zero for all nondetectable values. (Minn. R. 7001.0150, subp. 2, item B)

## Chapter 10. Total Facility Requirements

### 1. General Requirements

- 1.25 **Records.** The Permittee shall, when requested by the Agency, submit within a reasonable time the information and reports that are relevant to the control of pollution regarding the construction, modification, or operation of the facility covered by the permit or regarding the conduct of the activity covered by the permit. (Minn. R. 7001.0150, subp. 3, item H)
- 1.26 **Confidential Information.** Except for data determined to be confidential according to Minn. Stat. Sec. 116.075, subd. 2, all reports required by this permit shall be available for public inspection. Effluent data shall not be considered confidential. To request the Agency maintain data as confidential, the Permittee must follow Minn. R. 7000.1300.

### Noncompliance and Enforcement

- 1.27 **Subject to Enforcement Action and Penalties.** Noncompliance with a term or condition of this permit subjects the Permittee to penalties provided by federal and state law set forth in section 309 of the Clean Water Act; United States Code, title 33, section 1319, as amended; and in Minn. Stat. Sec. 115.071 and 116.072, including monetary penalties, imprisonment, or both. (Minn. R. 7001.1090, subp. 1, item B)
- 1.28 **Criminal Activity.** The Permittee may not knowingly make a false statement, representation, or certification in a record or other document submitted to the Agency. A person who falsifies a report or document submitted to the Agency, or tampers with, or knowingly renders inaccurate a monitoring device or method required to be maintained under this permit is subject to criminal and civil penalties provided by federal and state law. (Minn. R. 7001.0150, subp. 3, item G., 7001.1090, subps. 1, items G and H and Minn. Stat. Sec. 609.671)
- 1.29 **Noncompliance Defense.** It shall not be a defense for the Permittee in an enforcement action that it would have been necessary to halt or reduce the permitted activity in order to maintain compliance with the conditions of this permit. (40 CFR 122.41(c))
- 1.30 **Effluent Violations.** If sampling by the Permittee indicates a violation of any discharge limitation specified in this permit, the Permittee shall immediately make every effort to verify the violation by collecting additional samples, if appropriate, investigate the cause of the violation, and take action to prevent future violations. Violations that are determined to pose a threat to human health or a drinking water supply, or represent a significant risk to the environment shall be immediately reported to the Minnesota Department of Public Safety Duty Officer at 1(800)422-0798 (toll free) or (651)649-5451 (metro area). In addition, you may also contact the MPCA during business hours. Otherwise the violations and the results of any additional sampling shall be recorded on the next appropriate DMR or report.
- 1.31 **Unauthorized Releases of Wastewater Prohibited.** Except for conditions specifically described in Minn. R. 7001.1090, subp. 1, items J and K, all unauthorized bypasses, overflows, discharges, spills, or other releases of wastewater or materials to the environment, whether intentional or not, are prohibited. However, the MPCA will consider the Permittee's compliance with permit requirements, frequency of release, quantity, type, location, and other relevant factors when determining appropriate action. (40 CFR 122.41 and Minn. Stat. Sec. 115.061)

## Chapter 10. Total Facility Requirements

### 1. General Requirements

1.32 Discovery of a release. Upon discovery of a release, the Permittee shall:

- a. Take all reasonable steps to immediately end the release.
- b. Notify the Minnesota Department of Public Safety Duty Officer at 1(800)422-0798 (toll free) or (651)649-5451 (metro area) immediately upon discovery of the release. In addition, you may also contact the MPCA during business hours at 1(800) 657-3864.
- c. Recover as rapidly and as thoroughly as possible all substances and materials released or immediately take other action as may be reasonably possible to minimize or abate pollution to waters of the state or potential impacts to human health caused thereby. If the released materials or substances cannot be immediately or completely recovered, the Permittee shall contact the MPCA. If directed by the MPCA, the Permittee shall consult with other local, state or federal agencies (such as the Minnesota Department of Natural Resources and/or the Wetland Conservation Act authority) for implementation of additional clean-up or remediation activities in wetland or other sensitive areas.
- d. Collect representative samples of the release. The Permittee shall sample the release for parameters of concern immediately following discovery of the release. The Permittee may contact the MPCA during business hours to discuss the sampling parameters and protocol. In addition, Fecal Coliform Bacteria samples shall be collected where it is determined by the Permittee that the release contains or may contain sewage. If the release cannot be immediately stopped, the Permittee shall consult with MPCA regarding additional sampling requirements. Samples shall be collected at least, but not limited to, two times per week for as long as the release continues.
- e. Submit the sampling results as directed by the MPCA. At a minimum, the results shall be submitted to the MPCA with the next DMR.

1.33 Upset Defense. In the event of temporary noncompliance by the Permittee with an applicable effluent limitation resulting from an upset at the Permittee's facility due to factors beyond the control of the Permittee, the Permittee has an affirmative defense to an enforcement action brought by the Agency as a result of the noncompliance if the Permittee demonstrates by a preponderance of competent evidence:

- a. The specific cause of the upset;
- b. That the upset was unintentional;
- c. That the upset resulted from factors beyond the reasonable control of the Permittee and did not result from operational error, improperly designed treatment facilities, inadequate treatment facilities, lack of preventative maintenance, or increases in production which are beyond the design capability of the treatment facilities;
- d. That at the time of the upset the facility was being properly operated;
- e. That the Permittee properly notified the Commissioner of the upset in accordance with Minn. R. 7001.1090, subp. 1, item I; and
- f. That the Permittee implemented the remedial measures required by Minn. R. 7001.0150, subp. 3, item J.



## Chapter 10. Total Facility Requirements

### 1. General Requirements

#### Operation and Maintenance

- 1.34 The Permittee shall at all times properly operate and maintain the facilities and systems of treatment and control, and the appurtenances related to them which are installed or used by the Permittee to achieve compliance with the conditions of the permit. Proper operation and maintenance includes effective performance, adequate funding, adequate operator staffing and training, and adequate laboratory and process controls, including appropriate quality assurance procedures. The Permittee shall install and maintain appropriate backup or auxiliary facilities if they are necessary to achieve compliance with the conditions of the permit and, for all permits other than hazardous waste facility permits, if these backup or auxiliary facilities are technically and economically feasible Minn. R. 7001.0150. subp. 3, item F.
- 1.35 In the event of a reduction or loss of effective treatment of wastewater at the facility, the Permittee shall control production or curtail its discharges to the extent necessary to maintain compliance with the terms and conditions of this permit. The Permittee shall continue this control or curtailment until the wastewater treatment facility has been restored or until an alternative method of treatment is provided. (Minn. R. 7001.1090, subp. 1, item C)
- 1.36 Solids Management. The Permittee shall properly store, transport, and dispose of biosolids, septage, sediments, residual solids, filter backwash, screenings, oil, grease, and other substances so that pollutants do not enter surface waters or ground waters of the state. Solids should be disposed of in accordance with local, state and federal requirements. (40 CFR 503 and Minn. R. 7041 and applicable federal and state solid waste rules)
- 1.37 Scheduled Maintenance. The Permittee shall schedule maintenance of the treatment works during non-critical water quality periods to prevent degradation of water quality, except where emergency maintenance is required to prevent a condition that would be detrimental to water quality or human health. (Minn. R. 7001.0150. subp. 3, item F and Minn. R. 7001.0150. subp. 2, item B)
- 1.38 Control Tests. In-plant control tests shall be conducted at a frequency adequate to ensure compliance with the conditions of this permit. (Minn. R. 7001.0150. subp. 3, item F and Minn. R. 7001.0150. subp. 2, item B)

#### Changes to the Facility or Permit

- 1.39 Permit Modifications. No person required by statute or rule to obtain a permit may construct, install, modify, or operate the facility to be permitted, nor shall a person commence an activity for which a permit is required by statute or rule until the Agency has issued a written permit for the facility or activity. (Minn. R. 7001.0030)

Permittees that propose to make a change to the facility or discharge that requires a permit modification must follow Minn. R. 7001.0190. If the Permittee cannot determine whether a permit modification is needed, the Permittee must contact the MPCA prior to any action. It is recommended that the application for permit modification be submitted to the MPCA at least 180 days prior to the planned change.

- 1.40 Construction. No construction shall begin until the Permittee receives written approval of plans and specifications from the MPCA (Minn. Stat. Sec. 115.03(f)).

Plans, specifications and MPCA approval are not necessary when maintenance dictates the need for installation of new equipment, provided the equipment is the same design size and has the same design intent. For instance, a broken pipe, lift station pump, aerator, or blower can be replaced with the same design-sized equipment without MPCA approval.

If the proposed construction is not expressly authorized by this permit, it may require a permit modification. If the construction project requires an Environmental Assessment Worksheet under Minn. R. 4410, no construction shall begin until a negative declaration is issued and all approvals are received or implemented.

## Chapter 10. Total Facility Requirements

### 1. General Requirements

- 1.41 Report Changes. The Permittee shall give advance notice as soon as possible to the MPCA of any substantial changes in operational procedures, activities that may alter the nature or frequency of the discharge, and/or material factors that may affect compliance with the conditions of this permit. (Minn. R. 7001.0150, subp. 3, item M)
- 1.42 Chemical Additives. The Permittee shall receive prior written approval from the MPCA before increasing the use of a chemical additive authorized by this permit, or using a chemical additive not authorized by this permit, in quantities or concentrations that have the potential to change the characteristics, nature and/or quality of the discharge.

The Permittee shall request approval for an increased or new use of a chemical additive at least 60 days, or as soon as possible, before the proposed increased or new use.

This written request shall include at least the following information for the proposed additive:

- The process for which the additive will be used;
- Material Safety Data Sheet (MSDS) which shall include aquatic toxicity, human health, and environmental fate information for the proposed additive;
- A complete product use and instruction label;
- The commercial and chemical names and Chemical Abstract Survey (CAS) number for all ingredients in the additive. (If the MSDS does not include information on chemical composition, including percentages for each ingredient totaling to 100%, the Permittee shall contact the supplier to have this information provided); and
- The proposed method of application, application frequency, concentration, and daily average and maximum rates of use.

Upon review of the information submitted regarding the proposed chemical additive, the MPCA may require additional information be submitted for consideration. This permit may be modified to restrict the use or discharge of a chemical additive and include additional influent and effluent monitoring requirements.

Approval for the use of an additive shall not justify the exceedance of any effluent limitation nor shall it be used as a defense against pollutant levels in the discharge causing or contributing to the violation of a water quality standard. (Minn. R. 7001.0170)

- 1.43 MPCA Initiated Permit Modification, Suspension, or Revocation. The MPCA may modify or revoke and reissue this permit pursuant to Minn. R. 7001.0170. The MPCA may revoke without reissuance this permit pursuant to Minn. R. 7001.0180.
- 1.44 TMDL Impacts. Facilities that discharge to an impaired surface water, watershed or drainage basin may be required to comply with additional permits or permit requirements, including additional restriction or relaxation of limits and monitoring as authorized by the CWA 303(d)(4)(A) and 40 CFR 122.44.1.2.i., necessary to ensure consistency with the assumptions and requirements of any applicable US EPA approved wasteload allocations resulting from Total Maximum Daily Load (TMDL) studies.
- 1.45 Permit Transfer. The permit is not transferable to any person without the express written approval of the Agency after compliance with the requirements of Minn. R. 7001.0190. A person to whom the permit has been transferred shall comply with the conditions of the permit. (Minn. R., 7001.0150, subp. 3, item N)

## Chapter 10. Total Facility Requirements

### 1. General Requirements

**1.46 Facility Closure.** The Permittee is responsible for closure and postclosure care of the facility. The Permittee shall notify the MPCA of a significant reduction or cessation of the activities described in this permit at least 180 days before the reduction or cessation. The MPCA may require the Permittee to provide to the MPCA a facility Closure Plan for approval.

Facility closure that could result in a potential long-term water quality concern, such as the ongoing discharge of wastewater to surface or ground water, may require a permit modification or reissuance.

The MPCA may require the Permittee to establish and maintain financial assurance to ensure performance of certain obligations under this permit, including closure, postclosure care and remedial action at the facility. If financial assurance is required, the amount and type of financial assurance, and proposed modifications to previously MPCA-approved financial assurance, shall be approved by the MPCA. (Minn. Stat. Sec. 116.07, subd. 4)

**1.47 Permit Reissuance.** If the Permittee desires to continue permit coverage beyond the date of permit expiration, the Permittee shall submit an application for reissuance at least 180 days before permit expiration. If the Permittee does not intend to continue the activities authorized by this permit after the expiration date of this permit, the Permittee shall notify the MPCA in writing at least 180 days before permit expiration.

If the Permittee has submitted a timely application for permit reissuance, the Permittee may continue to conduct the activities authorized by this permit, in compliance with the requirements of this permit, until the MPCA takes final action on the application, unless the MPCA determines any of the following (Minn. R. 7001.0040 and 7001.0160).

- a. The Permittee is not in substantial compliance with the requirements of this permit, or with a stipulation agreement or compliance schedule designed to bring the Permittee into compliance with this permit;
- b. The MPCA, as a result of an action or failure to act by the Permittee, has been unable to take final action on the application on or before the expiration date of the permit;
- c. The Permittee has submitted an application with major deficiencies or has failed to properly supplement the application in a timely manner after being informed of deficiencies.

Additional Monitoring Customized Supplemental Report Form

Facility: Jordan WWTF

Permit #: MN0020869

Month:

Year:

DATE	Total Nitrite + Nitrate as (N) (mg/L)	Total Nitrogen Ammonia as (N) (mg/L)	Total Nitrogen Kjeldahl (mg/L)	Total Dissolved Solids (mg/L)	Total Residual Chlorine (mg/L) *If applicable
1					
2					
3					
4					
5					
6					
7					
8					
9					
10					
11					
12					
13					
14					
15					
16					
17					
18					
19					
20					
21					
22					
23					
24					
25					
26					
27					
28					
29					
30					
31					

RESEARCH UNIT

(1949)

RESEARCH UNIT

(1950)

(1951)

(1952)

(1953)

(1954)

BY

RESEARCH UNIT

RESEARCH UNIT

Salty Discharge Monitoring Customized Supplemental Report Form

Permit #: MN0020869

Facility: Jordan WWTP

Year:

Month:

DATE	Bicarbonates (mg/L)	Total Calcium (mg/L)	Total Chloride (mg/L)	Hardness as CaCO <sub>3</sub> , Calcium & Magnesium (mg/L)	Total Magnesium (mg/L)	Total Potassium (mg/L)	Total Salinity (mg/L)	Total Sodium as Na (mg/L)	Total Dissolved Solids (mg/L)	Specific Conductance (umh/cm)	Total Sulfate as SO <sub>4</sub> (mg/L)
1											
2											
3											
4											
5											
6											
7											
8											
9											
10											
11											
12											
13											
14											
15											
16											
17											
18											
19											
20											
21											
22											
23											
24											
25											
26											
27											
28											
29											
30											
31											

Send with DMRs to: Discharge Monitoring Reports, MN Pollution Control Agency, 520 Lafayette Road North, St. Paul, MN 55155



MERCURY CUSTOMIZED SUPPLEMENTAL REPORT FORM

Permit #: MN0020869

Facility: Jordan WWTF

Year:

Month:

SD001 TOTAL FACILITY DISCHARGE

DATE	Dissolved Mercury (ng/L) grab sample	TSS (mg/L) grab sample	Additional Information
1			
2			
3			
4			
5			
6			
7			
8			
9			
10			
11			
12			
13			
14			
15			
16			
17			
18			
19			
20			
21			
22			
23			
24			
25			
26			
27			
28			
29			
30			
31			

Send with DMRs to: Discharge Monitoring Reports, MN Pollution Control Agency, 520 Lafayette Road North, St. Paul, MN 55155



UNITED STATES DEPARTMENT OF AGRICULTURE

NO.	DATE	DESCRIPTION	AMOUNT	TOTAL
1				
2				
3				
4				
5				
6				
7				
8				
9				
10				
11				
12				
13				
14				
15				
16				
17				
18				
19				
20				
21				
22				
23				
24				
25				
26				
27				
28				
29				
30				
31				
32				
33				
34				
35				
36				
37				
38				
39				
40				
41				
42				
43				
44				
45				
46				
47				
48				
49				
50				
51				
52				
53				
54				
55				
56				
57				
58				
59				
60				
61				
62				
63				
64				
65				
66				
67				
68				
69				
70				
71				
72				
73				
74				
75				
76				
77				
78				
79				
80				
81				
82				
83				
84				
85				
86				
87				
88				
89				
90				
91				
92				
93				
94				
95				
96				
97				
98				
99				
100				

RECEIVED  
MAY 19 1960

UNITED STATES DEPARTMENT OF AGRICULTURE  
WASHINGTON, D. C.



Minnesota Pollution Control Agency

520 Lafayette Road North
St. Paul, MN 55155-4194

Biosolids Annual Report

Minnesota's Biosolids Program

Figure 11

The yearly completion and submittal of this form, including the certification statements, will fulfill the requirements of Minn. R. Chapter 7041 for annual reporting of biosolids landspreading activities. This form must be submitted to the Minnesota Pollution Control Agency (MPCA) at the address above by December 31 following the cropping year. When bulk biosolids are applied, this form must be prepared by, or under the supervision of, a Type IV certified operator or inspector.

Reporting period: September 1, through August 31,

Facility Information

Facility name: NPDES or SDS Permit number:
Contact person: Phone number:
Work address:

Check here if biosolids were not land applied during this cropping year: [ ]

Total quantity of biosolids land applied as bulk material: Gallons or Wet tons and Dry tons

Total quantity of Class A biosolids sold or given away in bags or other containers: Dry tons

Total quantity of biosolids transferred to another facility: Dry tons or Gallons

Transferred to what facility: Contact person/phone # of facility: /

Reporting of Biosolids Information

Pathogen reduction

Select the option/s used to meet pathogen reduction requirements:

Class B Options:

- 1. Geometric mean of fecal coliform determined
2. Process to Significantly Reduce Pathogens (PSRP) monitored: Aerobic Anaerobic Air dry Compost Lime
3. Process determined equivalent to a PSRP process monitored

Class A Options: (1-6 listed under 7041.1300, subp. 2, C)

- [ ] 1 [ ] 2 [ ] 3 [ ] 4 [ ] 5 [ ] 6

Describe how the Class A or Class B pathogen reduction requirement is met. For example, indicate what information was used and how it was evaluated to determine compliance. (Do not submit daily data.)

Vector attraction reductions

Select the option/s by which vector attraction reduction was met: (For a detailed description of these options, see your Biosolids Manual or Minn. R. Chapter 7041.1400, subp. 2)

- A. 38% Volatile Solids Reduction (VSR)
B. Bench Scale - Anaerobically Digested
C. Bench Scale - Aerobically Digested
D. SOUR Test: <= 1.5 mg-oxygen/hour at 20C
E. Composted (aerobic/high temperature)
F. Lime or Alkaline Stabilization
G. Dried to 75% - for Stabilized Solids
H. Dried to 90% - for Unstabilized Solids
I. Injected
J. Incorporated within six hours of application

For options A through H only, describe how the option was met. If VSR is calculated, indicate which equation was used, i.e. Van Kleeck.

Blank lines for describing pathogen reduction methods.

Blank lines for describing vector attraction reduction methods.

**Biosolids Analysis**

	Sample #	Sample #	Sample #	Sample #	Sample #	Sample #	Average
Date/s of Sampling							
Date Sent to Lab							
Total Solids (%)							
Total Volatile Solids (%)							
Kjeldahl Nitrogen (%)							
Ammonia Nitrogen (%)							
Phosphorus (%)							
Potassium (%)							
pH							
Arsenic (mg/kg)							
Cadmium (mg/kg)							
Copper (mg/kg)							
Lead (mg/kg)							
Mercury (mg/kg)							
Molybdenum (mg/kg)							
Nickel (mg/kg)							
Selenium (mg/kg)							
Zinc (mg/kg)							

**Greater sampling frequency**

Compare your average biosolids values with those in the table on the left. List any parameters that have average values greater than the values in the table.

Parameter	Concentration (mg/kg)
Arsenic	38
Cadmium	43
Copper	2150
Lead	420
Mercury	28
Molybdenum	38
Nickel	210
Selenium	50
Zinc	3750

These parameters must be analyzed two times their minimum sampling frequency during **next year's cropping season**. Your minimum sampling frequency depends on the quantity of biosolids land applied.

Your minimum biosolids sampling frequency = \_\_\_\_\_

Two times minimum biosolids sampling frequency = \_\_\_\_\_

# Submittals and Actions Checklist

## Jordan WWTP

**This checklist is intended to assist you in tracking the reporting requirements of your permit. However, it is only an aid. PLEASE CONSULT YOUR PERMIT FOR THE EXACT REQUIREMENTS.**

**Please note: This checklist only details submittal requirements for the next five years. DMRs, Annual Reports, and many other submittals are required even after the expiration date of this permit, and continue to be due until the permit is either reissued or terminated.**

### Submit DMRs to:

Attention: Discharge Monitoring Reports  
Minnesota Pollution Control Agency  
520 Lafayette Rd N  
St. Paul, MN 55155

### Submit other WQ reports to:

Attention: Submittals Center  
Minnesota Pollution Control Agency  
520 Lafayette Rd N  
St. Paul, MN 55155

### MPCA Staff Contacts:

For DMR-related questions:  
Linda Brooks at (651)757-2246  
For other questions:  
Charly Wojtysiak at (651)757-2831

### 2010

- Submit DMR (due before May 22)
- Submit DMR (due before Jun 22)
- Submit DMR (due before Jul 22)
- Submit DMR (due before Aug 22)
- Submit DMR (due before Sep 22)
- Submit DMR (due before Oct 22)
- Submit DMR (due before Nov 22)
- Submit DMR (due before Dec 22)

### 2011

- Submit DMR (due before Jan 22)
- Submit DMR (due before Feb 22)
- Submit DMR (due before Mar 22)
- Submit DMR (due before Apr 22)
- Submit DMR (due before May 22)
- Submit DMR (due before Jun 22)
- Submit DMR (due before Jul 22)
- Submit DMR (due before Aug 22)
- Submit DMR (due before Sep 22)
- Submit DMR (due before Oct 22)
- Submit DMR (due before Nov 22)
- Submit DMR (due before Dec 22)

### 2012

- Submit DMR (due before Jan 22)
- Submit DMR (due before Feb 22)
- Submit DMR (due before Mar 22)
- Submit DMR (due before Apr 22)
- Submit DMR (due before May 22)
- Submit DMR (due before Jun 22)
- Submit DMR (due before Jul 22)
- Submit DMR (due before Aug 22)
- Submit DMR (due before Sep 22)
- Submit DMR (due before Oct 22)
- Submit DMR (due before Nov 22)
- Submit DMR (due before Dec 22)

### 2013

- Submit DMR (due before Jan 22)
- Submit DMR (due before Feb 22)
- Submit DMR (due before Mar 22)
- Submit DMR (due before Apr 22)
- Submit DMR (due before May 22)
- Submit DMR (due before Jun 22)
- Submit DMR (due before Jul 22)

# Submittals and Actions Checklist

## Jordan WWTP

**This checklist is intended to assist you in tracking the reporting requirements of your permit. However, it is only an aid. PLEASE CONSULT YOUR PERMIT FOR THE EXACT REQUIREMENTS.**

**Please note: This checklist only details submittal requirements for the next five years. DMRs, Annual Reports, and many other submittals are required even after the expiration date of this permit, and continue to be due until the permit is either reissued or terminated.**

### Submit DMRs to:

Attention: Discharge Monitoring Reports  
Minnesota Pollution Control Agency  
520 Lafayette Rd N  
St. Paul, MN 55155

### Submit other WQ reports to:

Attention: Submittals Center  
Minnesota Pollution Control Agency  
520 Lafayette Rd N  
St. Paul, MN 55155

### MPCA Staff Contacts:

For DMR-related questions:  
Linda Brooks at (651)757-2246  
For other questions:  
Charly Wojtysiak at (651)757-2831

### 2013

- Submit DMR (due before Aug 22)
- Submit DMR (due before Sep 22)
- Submit DMR (due before Oct 22)
- Submit DMR (due before Nov 22)
- Submit DMR (due before Dec 22)

### 2014

- Submit DMR (due before Jan 22)
- Submit DMR (due before Feb 22)
- Submit DMR (due before Mar 22)
- Submit DMR (due before Apr 22)
- Submit DMR (due before May 22)
- Submit DMR (due before Jun 22)
- Submit DMR (due before Jul 22)
- Submit DMR (due before Aug 22)
- Submit a Mercury Pollutant Minimization Plan (due before Sep 1) (Permit Req't. 7.1.3)
- Submit an application for permit reissuance (due before Sep 1) (Permit Req't. 10.1.47)
- Submit DMR (due before Sep 22)
- Submit DMR (due before Oct 22)
- Submit DMR (due before Nov 22)
- Submit DMR (due before Dec 22)

### 2015

- Submit DMR (due before Jan 22)
- Submit DMR (due before Feb 22)

### Other Submittals

- If, during any cropping year, biosolids were transferred, or not land applied, the Permittee shall submit a Biosolids Annual Report by December 31 following the end of the cropping year. The report shall state that biosolids were not land applied, how much was generated, and where they were transferred to. (Permit Req't. 5.9.2)

**Site Specific Information**

<b>Site Code</b> (each site follows column down):			
Landowner:			
Actual Acreage Receiving Biosolids:			
Crop Grown This Year:			
Realistic Yield Goal (yield /acre):			
Crop Grown Previous Year:			
Soil Organic Matter*:			
MANA Rate (lbs./acre):			
Which Months Biosolids Were Land Applied:			

\*Use last soil test taken for organic matter content. Soil testing is required once in the three-year time period prior to land application unless stipulated otherwise in a permit or site approval letter. If soil tests were required to be taken for this reporting year, complete the following:

<b>Soil Test</b>	<b>Date Sampled:</b>		
	<b>Texture:</b>		
	<b>Organic Matter:</b>		
	<b>Phosphorus:</b>		
	<b>Potassium:</b>		
	<b>pH:</b>		
	<b>Soluble Salts:</b>		

**Application rates and methods:**

<b>Sample # or average used in following calculations:</b>		
<b>Gallons or wet tons applied per acre this year:</b>		
<b>Dry tons applied per acre this year:</b>		
<b>Method: Surface/Inject/Incorporate (0 to 48 hrs.):</b>		
<b>Nitrogen applied (pounds/acre)</b>		
<b>Available nitrogen applied in biosolids this year:</b>		
<b>Carry-over nitrogen from 1 year ago:</b>		
<b>Carry-over nitrogen from 2 years ago:</b>		
<b>Nitrogen applied from other sources:</b>		
<b>Total nitrogen applied:</b>		

**Metals applied this year and cumulative (pounds/acre)**

**Concentration (mg/kg) X .002 X Dry tons/acre = pounds/acre of metal.**

For cumulative metals, add all past metal loadings together.

Parameter	This Year	Cumulative	This Year	Cumulative	This Year	Cumulative
Arsenic						
Cadmium						
Copper						
Lead						
Mercury						
Molybdenum						
Nickel						
Selenium						
Zinc						

## Certification Statements for managing biosolids

### Statement #1: Certification that preparer has checked if site has reached cumulative pollutant loading rate

This certification statement is not included on the annual report form. Copies are found in Figure 12 of the Land Application of Biosolids manual (see Minn. R. ch. 7041:1000, subp. 2, item B, for the requirement and 7041.1600, subp. 3, item M, for the certification statement.) Keep these signed certification statements in your records, but you do not need to include them with the annual report.

### Statement #2: Certification that a Type IV operator or inspector prepared the annual report

I certify that the attached forms were prepared by myself or under my supervision.

\_\_\_\_\_  
Signature of Type IV Certified Operator or Inspector

\_\_\_\_\_  
Date

### Statement #3: Certification that pathogen reduction (for all facilities) and vector attraction reduction Options A through H (if chosen) were used — signed by biosolids preparer

**Plain language:** I have supervised preparing information that is used to determine if our biosolids program complies with the pathogen reduction and vector attraction reduction (VAR) requirements of the biosolids rules. Specifically, Item \_\_\_\_\_ [insert one of items A through H — see page 1 of annual report for a list of options] of Minn. R. ch. 7041.1400, subp. 2, was used to meet VAR requirements. In addition, those who gathered and evaluated this information are qualified to do so. I understand that I may be penalized for false certification.

**Actual statement from rule:** I certify, under penalty of law, that the information that will be used to determine compliance with the Pathogen Requirements in Minn. R. ch. 7041.1300, subp. 2, or 7041.1300, subp. 3, and the VAR requirement in \_\_\_\_\_ [insert one of the vector attraction reduction requirements in Minn. R. ch. 7041.1400, subp. 2, A-H, if one of those requirements is met] has been prepared under my direction and supervision in accordance with the system designed to ensure that qualified personnel properly gather and evaluate the information used to determine that the pathogen requirements (and vector attraction reduction requirements, if applicable) have been met. I am aware that there are significant penalties for false certification, including the possibility of fine and imprisonment.

\_\_\_\_\_  
Signature of Type IV Certified Operator or Inspector

\_\_\_\_\_  
Date

### Statement #4: Certification that management practices and vector attraction reduction Options I or J (if chosen) were used — signed by biosolids applier

**Plain language:** I supervised preparing information that is used to determine if our biosolids program complies with the management practices, site restrictions and VAR requirements of the biosolids rules. Specifically, Item \_\_\_\_\_ [insert I for injection or J for incorporating within 6 hours of application] of Minn. R. ch. 7041.1400, subp. 2, was used to meet VAR requirements. In addition, those who gathered and evaluated this information are qualified to do so. I understand that I may be penalized for false certification.

**Actual statement from rule:** I certify, under penalty of law, that the information that will be used to determine compliance with the Management Practices in Minn. R. ch. 7041.1200, the Site Restrictions in Minn. R. ch. 7041.1300, subp. 3, item D, and the VAR requirement in \_\_\_\_\_ [insert Minn. R. ch. 7041.1400, subp. 2, I or J, if applicable] for each site on which bulk biosolids is applied has been prepared under my direction and supervision according to the system designed to ensure that qualified personnel properly gather and evaluate the information used to determine that the management practices and site restrictions have been met. I am aware that there are significant penalties for false certification including the possibility of fine and imprisonment.

\_\_\_\_\_  
Signature of Type IV Certified Operator or Inspector

\_\_\_\_\_  
Date

**Management practices were met by:** (Check appropriate boxes for compliance descriptions, or if needed, add your own description. For example, *mineland reclamation may not follow all agricultural site practices, such as those for slope.*)

- Biosolids were applied on sites approved by the MPCA according to Minn. R. ch. 7041.0800.  
 Biosolids were applied according to the soil, slope, and separation distance requirements of Minn. R. ch. 7041.1200.

- A detailed description of how agronomic rate requirements were met is on page 3 of this Annual Report.  
 The farmer was notified of the applicable site restrictions for harvesting crops, grazing and public access.